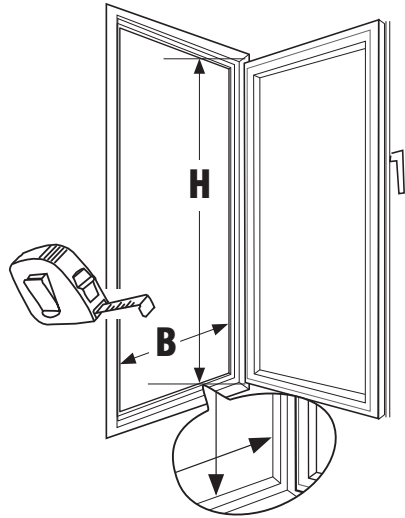
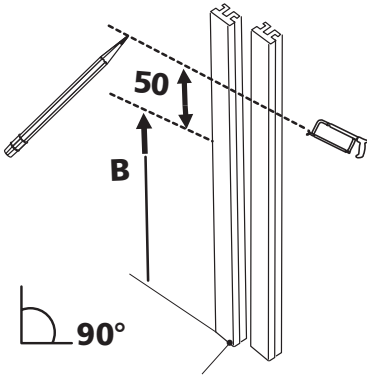


1



2

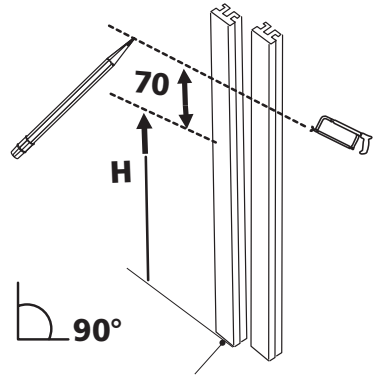
$$B + 50 \text{ mm} =$$



2 x 22002, 2 x 22004, 2 x 22006

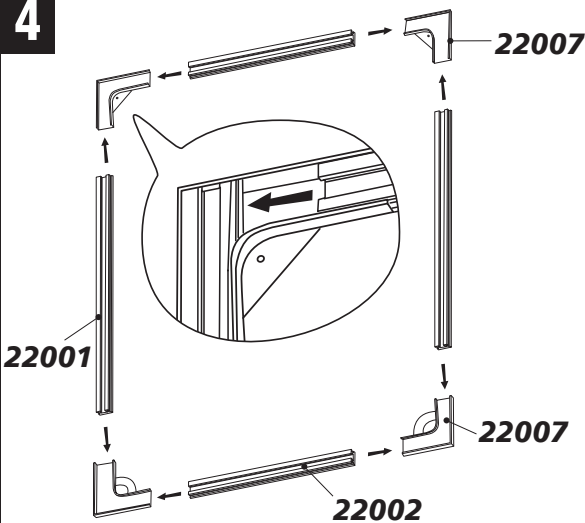
3

$$H + 70 \text{ mm} =$$

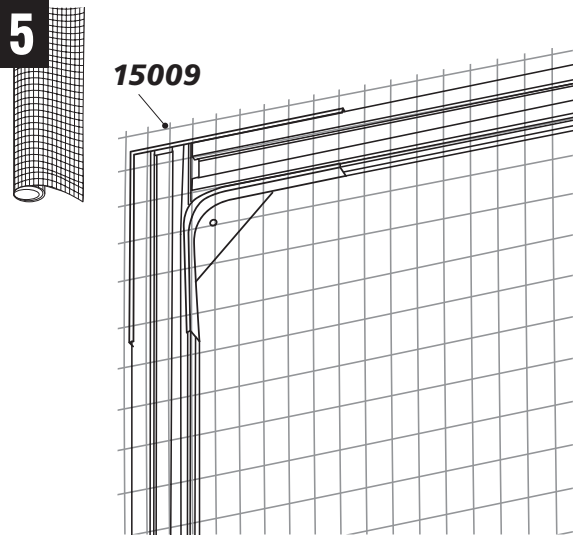


2 x 22001, 2 x 22003, 2 x 22005

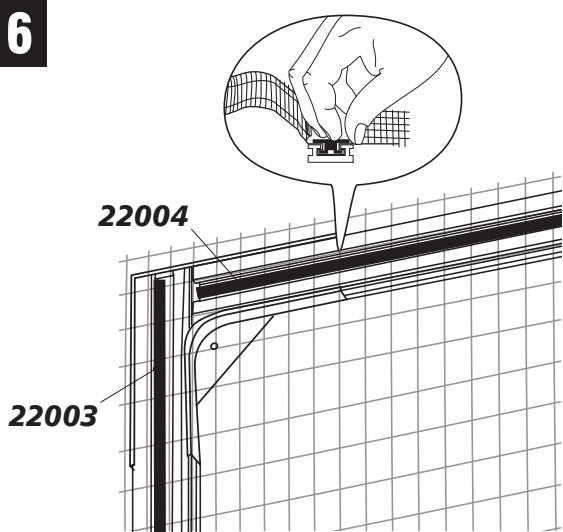
4



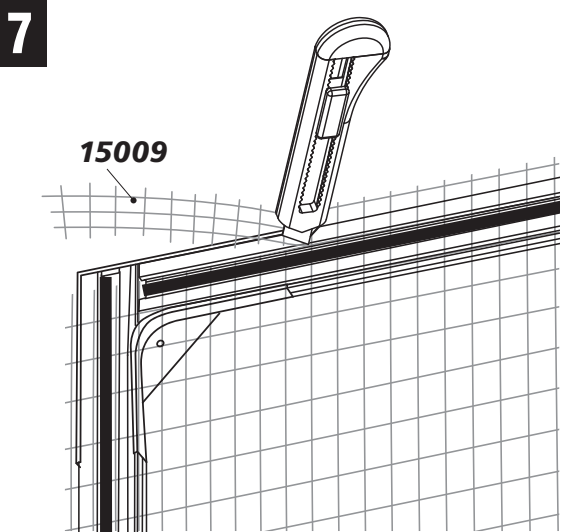
5



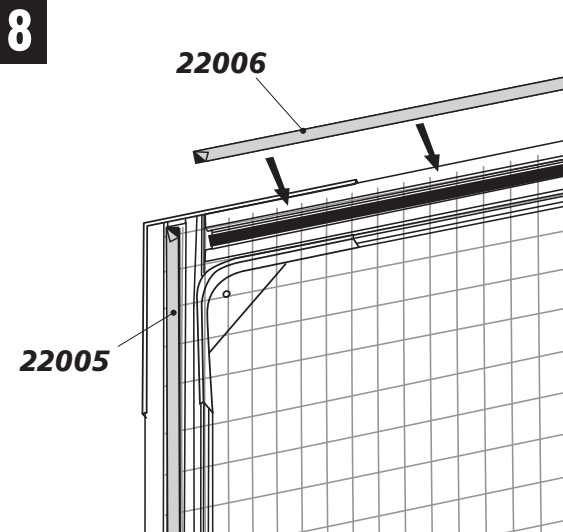
6



7



8



9

